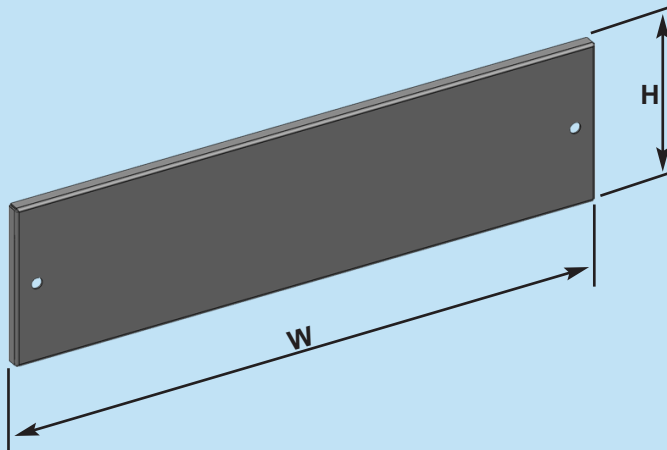


❖ TOP & BOTTOM BLANKING PLATE FOR DIN MODULE



ORDER NO	TYPE	DESCRIPTION	MODULE SIZE	DIMENSIONS (WxH)mm	THICKNESS	QTY
823 310	TBBP2.16	Top & Bottom Blanking Plate - For DIN MODULE	2Mx16	355x16	1.0mm	01
823 313	TBBP2.43	Top & Bottom Blanking Plate - For DIN MODULE	2Mx43	355x43	1.0mm	01
823 316	TBBP2.70	Top & Bottom Blanking Plate - For DIN MODULE	2Mx70	355x70	1.0mm	01
823 319	TBBP2.97	Top & Bottom Blanking Plate - For DIN MODULE	2Mx97	355x97	1.0mm	01
823 322	TBBP2.125	Top & Bottom Blanking Plate - For DIN MODULE	2Mx125	355x125	1.0mm	01
823 325	TBBP2.153	Top & Bottom Blanking Plate - For DIN MODULE	2Mx153	355x153	1.0mm	01
823 350	TBBP3.16	Top & Bottom Blanking Plate - For DIN MODULE	3Mx16	575x16	1.0mm	01
823 353	TBBP3.43	Top & Bottom Blanking Plate - For DIN MODULE	3Mx43	575x43	1.0mm	01
823 356	TBBP3.70	Top & Bottom Blanking Plate - For DIN MODULE	3Mx70	575x70	1.0mm	01
823 359	TBBP3.97	Top & Bottom Blanking Plate - For DIN MODULE	3Mx97	575x97	1.0mm	01
823 362	TBBP3.125	Top & Bottom Blanking Plate - For DIN MODULE	3Mx125	575x125	1.0mm	01
823 365	TBBP3.153	Top & Bottom Blanking Plate - For DIN MODULE	3Mx153	575x153	1.0mm	01
823 302	TBBP4.16	Top & Bottom Blanking Plate - For DIN MODULE	4Mx16	795x16	1.2mm	01
823 303	TBBP4.43	Top & Bottom Blanking Plate - For DIN MODULE	4Mx43	795x43	1.2mm	01
823 304	TBBP4.70	Top & Bottom Blanking Plate - For DIN MODULE	4Mx70	795x70	1.2mm	01
823 305	TBBP4.97	Top & Bottom Blanking Plate - For DIN MODULE	4Mx97	795x97	1.2mm	01
823 306	TBBP4.125	Top & Bottom Blanking Plate - For DIN MODULE	4Mx125	795x125	1.2mm	01
823 307	TBBP4.153	Top & Bottom Blanking Plate - For DIN MODULE	4Mx153	795x153	1.2mm	01
823 294	TBBP5.16	Top & Bottom Blanking Plate - For DIN MODULE	5Mx16	1015x16	1.2mm	01
823 295	TBBP5.43	Top & Bottom Blanking Plate - For DIN MODULE	5Mx43	1015x43	1.2mm	01
823 296	TBBP5.70	Top & Bottom Blanking Plate - For DIN MODULE	5Mx70	1015x70	1.2mm	01
823 297	TBBP5.97	Top & Bottom Blanking Plate - For DIN MODULE	5Mx97	1015x97	1.2mm	01
823 298	TBBP5.125	Top & Bottom Blanking Plate - For DIN MODULE	5Mx125	1015x125	1.2mm	01
823 299	TBBP5.153	Top & Bottom Blanking Plate - For DIN MODULE	5Mx153	1015x153	1.2mm	01